

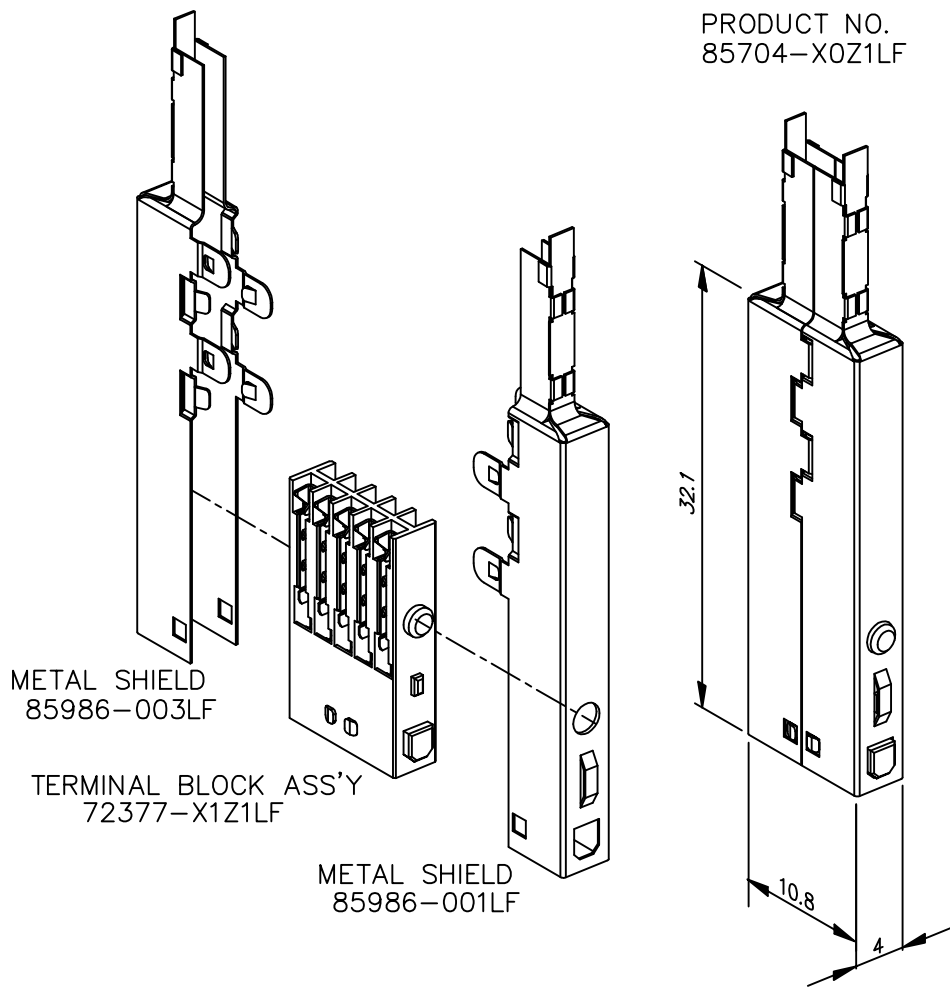
Tous droits strictement réservés. Reproduction ou communication à des tiers interdite sous quelque forme que ce soit sans autorisation écrite du propriétaire. Propriété de FCI b.v. © FCI b.v.

All rights strictly reserved. Reproduction or issue to third parties in any form, whatever is not permitted without written authority from the proprietor. Property of FCI b.v. © FCI b.v.

PRODUCT NUMBER:
85704-XYZ1LF

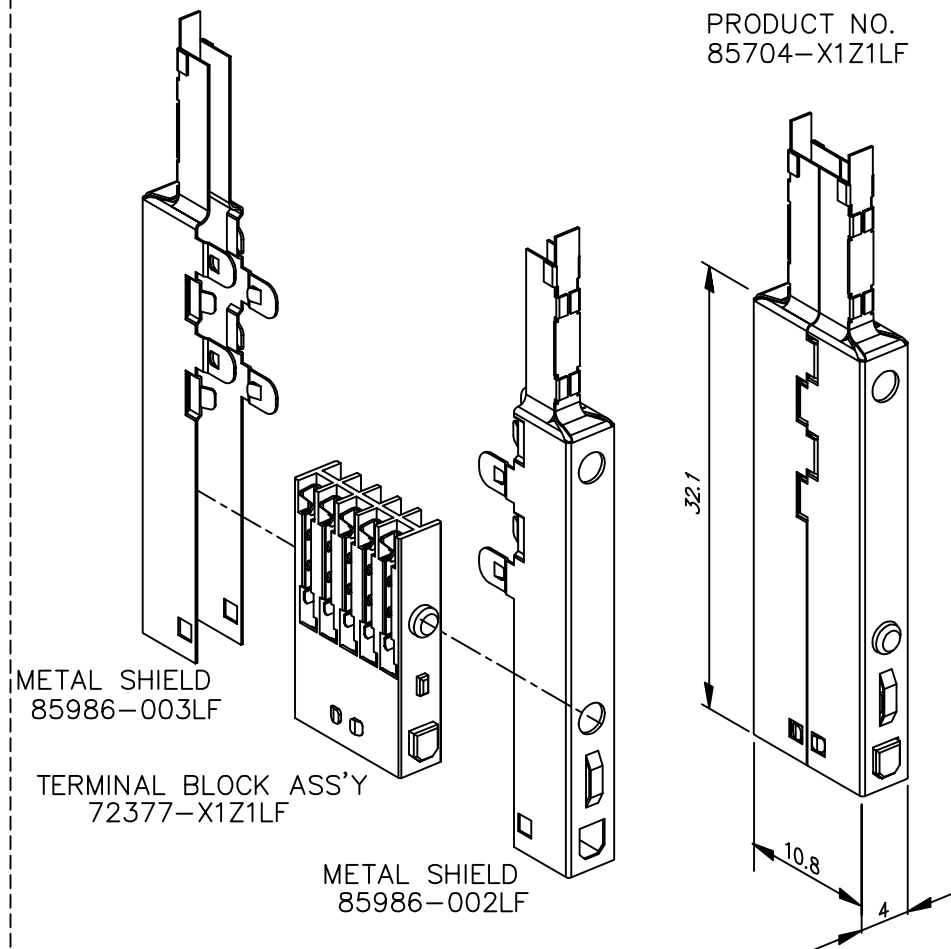
HEAT SHRINK VERSION

PRODUCT NO.
85704-X0Z1LF



HEAT SHRINK VERSION

PRODUCT NO.
85704-X1Z1LF



mat'l. code		tolerances unless otherwise specified		CUSTOMER COPY	 ELECTRONICS www.fciconnect.com
ltr	ecn no dr date			projection	
A	H80084 VWO 980205	linear		 mm	title
B	DG05-0438 CLU 051103	angles			
		dr	H v Woensel 971016		product family
		eng	H v Woensel 971016		Metal(tm)
		chr	H Cooijmans 980205	scale	code
		app	H v Woensel 980205	1:1	213
sheet index	revision sheet	B 1	B 2		size
					dwg no
					85704
					sheet
					1 of 2

PRODUCT NUMBER:
85704-XYZ1LF

NOTES:

- SEE APPLICATION SPECIFICATION GES-20-003 FOR INSTRUCTIONS ON WIRE INSERTION AND ASSEMBLY OF COMPONENTS FOR CONNECTORS
- PLUGS INTO SHIELDED HEADERS 72031, 72032, SHROUDS 72033 AND 72034.
- MAXIMUM SHEATH DIAMETER: 4 mm.
MAXIMUM DIAMETER OVER BRAID: 4 mm
- THIS PRODUCT MEETS EUROPEAN UNION DIRECTIVES AND OTHER COUNTRY REGULATIONS AS DESCRIBED IN GS-22-008 .
- THE PRODUCT IS NOT INTENDED TO BE EXPOSED TO A MANUFACTURING SOLDER PROCESS.

MATERIAL:

TERMINAL BLOCKS: GLASS FILLED 612
POLYAMIDE (UL 94 V-0)

CONTACTS:

PHOSPHOR BRONZE
SOLDER FINISH ON IDC DIMPLES

ORDERING INFORMATION FOR KITS:

ORDER KITS 85704-XYZ1LF WHERE
PLATING IN CONTACT AREA:



- X=1 FOR 0.8 μ m GOLD
- X=2 FOR 2.0 μ m GOLD
- X=3 FOR 1.3 μ m GOLD
- X=9 FOR 0.8 μ m GXT™

LATCH TYPE:

- Y=0 HEAT SHRINK VERSION FOR USE WITH LATCH 85991-001LF OR 85992-001LF
- Y=1 HEAT SHRINK VERSION FOR USE WITH LATCH 85991-002LF OR 85992-002LF.

COPPER WIRE SIZE:

- Z=1 FOR 0.40 - 0.51 mm DIA (26 TO 24 AWG)
- Z=2 FOR 0.25 - 0.32 mm DIA (30 TO 28 AWG)

mat'l. code		tolerances unless otherwise specified		CUSTOMER COPY		 ELECTRONICS www.fciconnect.com	
ltr	ecn no	dr	date	linear	projection	title	
B						5x2 Shielded CABLE CONNECTOR KIT	
				angles		product family	
				dr		H v Woensel	971016
				eng	H v Woensel	971016	code
				chr	H Cooijmans	980205	213
				app	H v Woensel	980205	sheet
sheet index	revision sheet				scale	1:1	2 of 2
					A3	85704	

Tous droits strictement reserves. Reproduction ou communication a des tiers interdite sous quelque forme que ce soit sans autorisation écrite du propriétaire. © FCI b.v.
 All rights strictly reserved. Reproduction or issue to third parties in any form, whatever is not permitted without written authority from the proprietor. © FCI b.v.